



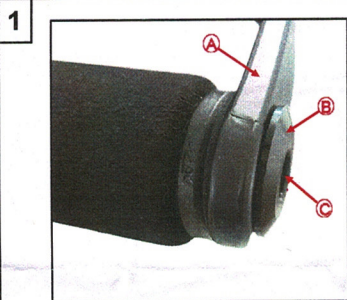
**KAOKO™ THROTTLE STABILIZER KITS:  
KTM106**

RSA Registered Designs  
No. A2007/00202 No. A2007/00205  
No. A2007/00203 No. A2007/00206  
No. A2007/00204 No. A2007/00207

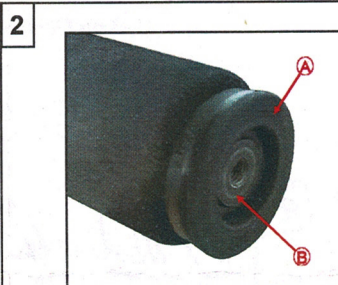
Patents  
"U.S. Pat. No. US D593,462 S"  
"U.S. Pat. No. US D593,463 S"  
"U.S. Pat. No. US D593,464 S"

**For Models KTM  
390 ADVENTURE (2020)  
with OEM hand guards**

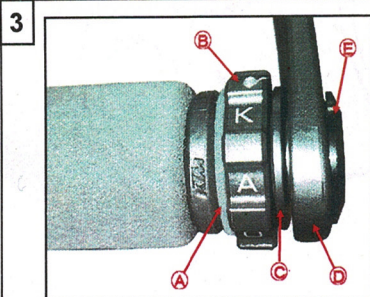
**Items Included in your kit**  
Kaoko bar-end body • Friction Nut • 103 Thrust washer • 2x M6 Steel washers  
• 2mm Allen Key • Fitting Instructions



- A — Hand guard bracket
- B — Hand guard plug
- C — Hand guard bolt



- A — Plastic Thrust Washer
- B — Handlebar



- A — Plastic Thrust Washer
- B — Friction Nut & Grub Screw
- C — Kaoko bar-end body
- D — Hand guard bracket
- E — Hand guard plug

**DISCLAIMER: NO RESPONSIBILITY ACCEPTED FOR NON-ADHERENCE TO THESE INSTRUCTIONS**

**KAOKO™ Safety Warning:**

The KAOKO™ Throttle Stabilizer is an aftermarket accessory. Any misunderstood, abused or incorrectly installed motorcycle accessory is a safety hazard that could cause injury or death. It's the rider's responsibility to understand the operation and purpose for which the KAOKO™ Throttle Stabilizer is designed, namely, for cruising, only when safe to do so. At all other times the control should be disengaged. The KAOKO™ Throttle Stabilizers are to be used only by experienced and responsible riders. See reverse of page for full indemnity.

**Note:** An adjustment to throttle assembly position may be necessary to suit KAOKO™ Throttle Stabilizers. The throttle assembly position on aftermarket bars, and some OEM bars, is adjustable. The assembly can marginally be re-positioned along the handle bars slightly loosening the throttle assembly clamp screws, and then sliding the throttle assembly along the handle bars (left or right). Once done, firmly tighten the clamp screws to OEM torque specifications. This adjustment is generally not necessary.

**Fitting Instructions**

**Step 1**

Detach the hand guard by loosening the bolt located on the side of the of the hand guard.

**Note:** The metal hand guard plug will be used in the same position on the hand guard when the Kaoko is fully installed.

**Step 2**

Remove the original bar-end weight to expose the handlebar and throttle sleeve as shown in **picture 1**.

**Step 3**

Place the Kaoko plastic thrust washer against the throttle sleeve as shown in **picture 2**.

**Note:** To enable improved functionality, it is recommended (not essential) to apply very light smear of Automotive grease or Petroleum jelly to the friction face of the thrust washer( See Figure 3 at the back of the page)

**Step 4**

Place the Kaoko bar-end body between the handlebar and handguard as seen in **picture 3**.

**Step 5**

Place the central retaining bolt through the entire assembly—firmly tighten central locking screw then back off friction nut and test that the throttle sleeve is absolutely free turning and will snap back to idle as normal. Refer to **picture 3** for final assembly.

**Step 6**

Carefully set rotational resistance of the friction nut by tightening/loosening the grub screw by small adjustments using the 2mm allen key provided in the Kaoko Kit. Take care not to over tighten risking damage to threads. The nut should have fairly firm rotational resistance. See under **Maintenance below**.

**Operating Instructions**

**The Friction Nut has a left hand thread. In readiness for engagement, the Friction Nut must be adjusted so that it makes light contact against the thrust washer.**

**To Engage:** While rolling on the throttle, the Friction Nut can be gripped between the small finger and palm of hand. This action tightens the nut and provides sufficient friction to set the throttle to the desired opening.

*(The friction is such that the rider may still open and close the throttle. The throttle simply has a slight rotational stiffness.)*

**To Disengage:** While rolling off the throttle, grip the Friction Nut between small finger and palm of hand.

**VERY IMPORTANT!! The throttle should open and snap closed freely when correctly disengaged.**

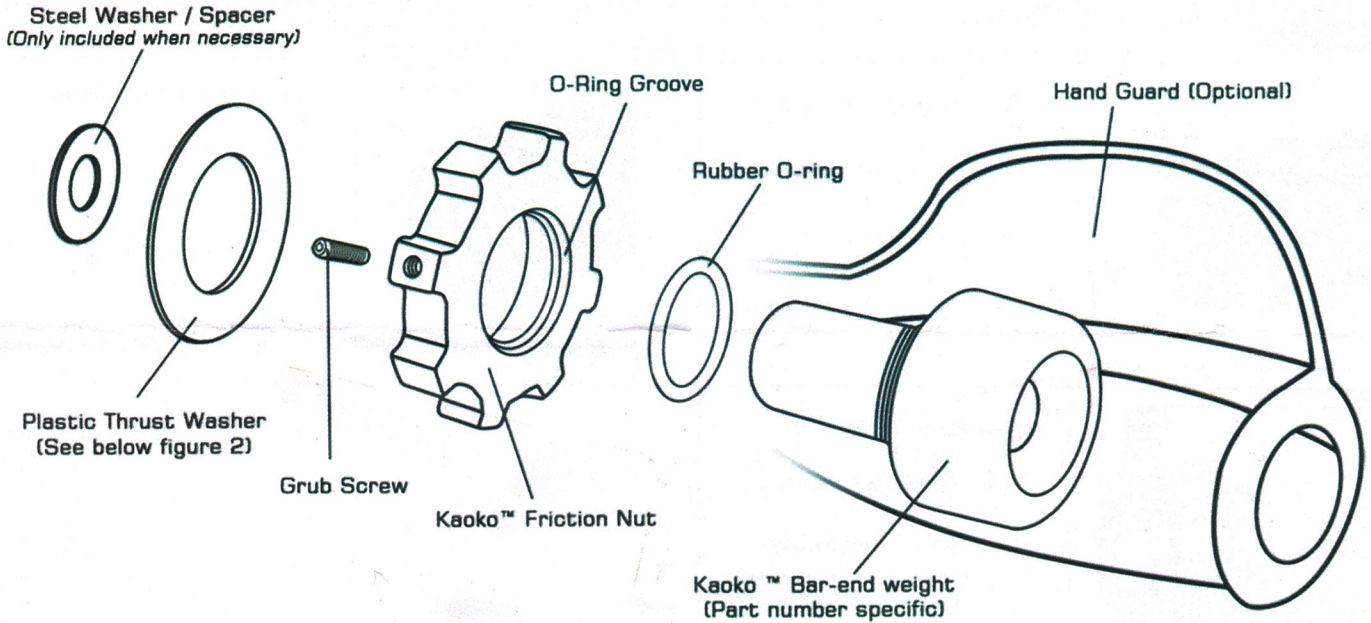
**Note:** The Grub Screw needs to be set to provide the necessary resistance on the thread of the friction nut (only small adjustments need to be made as to not damage the friction nut threads). This may be adjusted periodically to take up wear.

**Maintenance:** Remove kit annually. Unscrew Friction Nut and brush clean threads with a mild soap. Apply petroleum jelly to threads and assemble. Adjust grub screw to desired operating resistance. (O-Ring cushion: 19.6mm I.D. x 2.4mm section — if replacement is required)



**Figure 1: Typical KAOKO Throttle Stabilizer Components**

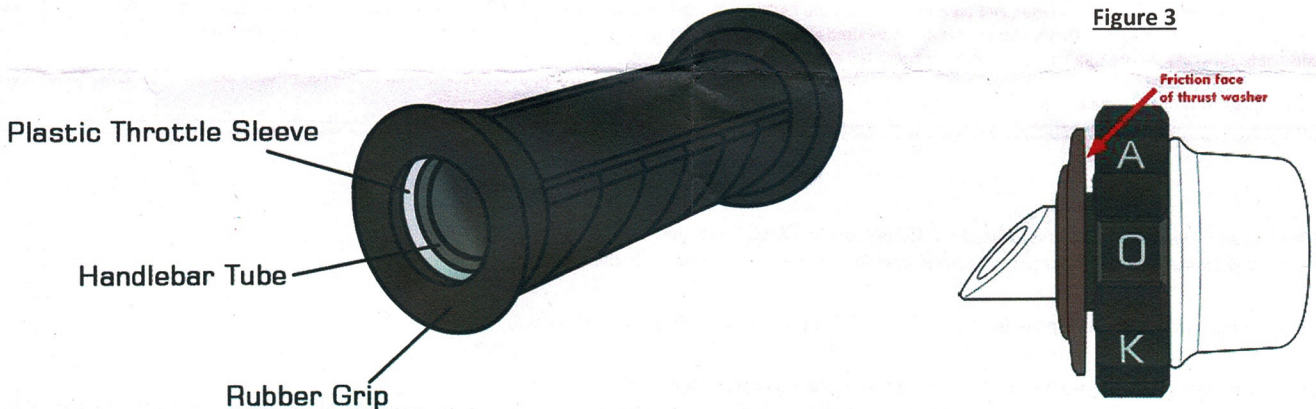
rev: 03/03/2017



**Figure 2: Thrust Washer Final Fitment**

**Note:** The KAOKO™ Thrust Washer (ref: figure 1) must thrust against the plastic throttle sleeve (tube) indicated below in figure 2.

**The KAOKO™ Thrust Washer must not thrust against the rubber throttle grip. Refer detailed instructions on reverse.**



**KAOKO™ ACCESSORIES AND PRODUCTS**

**Express Disclaimer, Exclusion of Liability, Indemnity and Safety Warning:**

1. The accessories and products supplied by KAOKO™ are aftermarket accessories and products.
2. The use and employment of such accessories and products is at the sole risk and discretion of the user.
3. The user of such accessories and products further indemnifies KAOKO™ and its representatives against all claims and losses arising (including personal injuries, death, damage to property and any other losses) and involving such accessories and products.
4. KAOKO™ provides no warranty on accessories and products that it produces and distributes and does not aver that these accessories and products are fit for the purposes for which same are manufactured and intended.
5. KAOKO™ assumes no responsibility for and liability regarding any and all defects, deficiencies or otherwise in and attributed to its motor accessories and products.
6. KAOKO™ further assumes no responsibility for and liability regarding any prospective losses and claims for damages; be same actual, consequential or contingent and which in any way are associated with its motor accessories and products. In circumstances where accessories and products supplied are found to be of defective manufacture, KAOKO™ reserves its rights to replace such defective accessories and products, alternatively; effect a financial refund equivalent to the purchase price of such accessories and products as at the date of placement of order.
7. The application and affixing of KAOKO™ accessories and products to vehicles may necessitate or result in modifications being undertaken and this may result in manufacturer or otherwise warranties provided on such vehicles being affected and for that matter voided. In circumstances where the above occurs, KAOKO™ expressly denies being accountable regarding any liability and losses ensuing.
8. The application and affixing of KAOKO™ accessories and products may further result in usual vehicle operations and safety features being modified, overrode and for that matter discarded.
9. KAOKO™ accessories and products ought to be used by experienced and responsible riders only. The onus rests on the user of such KAOKO™ accessories and products to become properly familiarised with and understand the nature, operation and scope of the above accessories and products and further ensure that same are correctly affixed and used at all times and further not abused.
10. **Misapplication and abuse of such accessories and products can endanger the user and result in injury or death and further constitute safety hazards.**
11. The affixing and usage advices provided by KAOKO™ are for guidance purposes only and do not constitute specific fitment instructions. The onus rests on the user to ascertain and ensure proper and professional affixing and fitting to vehicles of the accessories and products and in seeking suitably qualified assistance in dealing with the above.
12. Prior to resorting to using KAOKO™ accessories and products, it is recommended that the user seek independent advice regarding the integrity and suitability of above accessories and products and in fulfilling the user's needs.
13. KAOKO™ accessories and products should only be fitted to new motorcycles and those that are in original condition, having not been involved in any accidents, being dropped, damaged or the subject of repair. Where KAOKO™ accessories and products are fitted to motorcycles not in original condition there is the risk that the operation of KAOKO™ accessories and products will be compromised and damaged. **In all of the above events, KAOKO™ does not accept liability**