

RECOMMENDED OPTIONAL ACCESSORIES



**Columbia Dry Bag**  
Mounts with integrated anchor straps and opens from both ends for easy access to gear. Adds 70 liters of waterproof storage.



**84" QuickLoop Security Cable**  
Add peace of mind by locking Panniers to parked motorcycle.



**Possibles Pouch**  
Waterproof, 3.5-liter gear and tool pocket fits inside RTW Pannier's pockets for grab-and-go convenience.

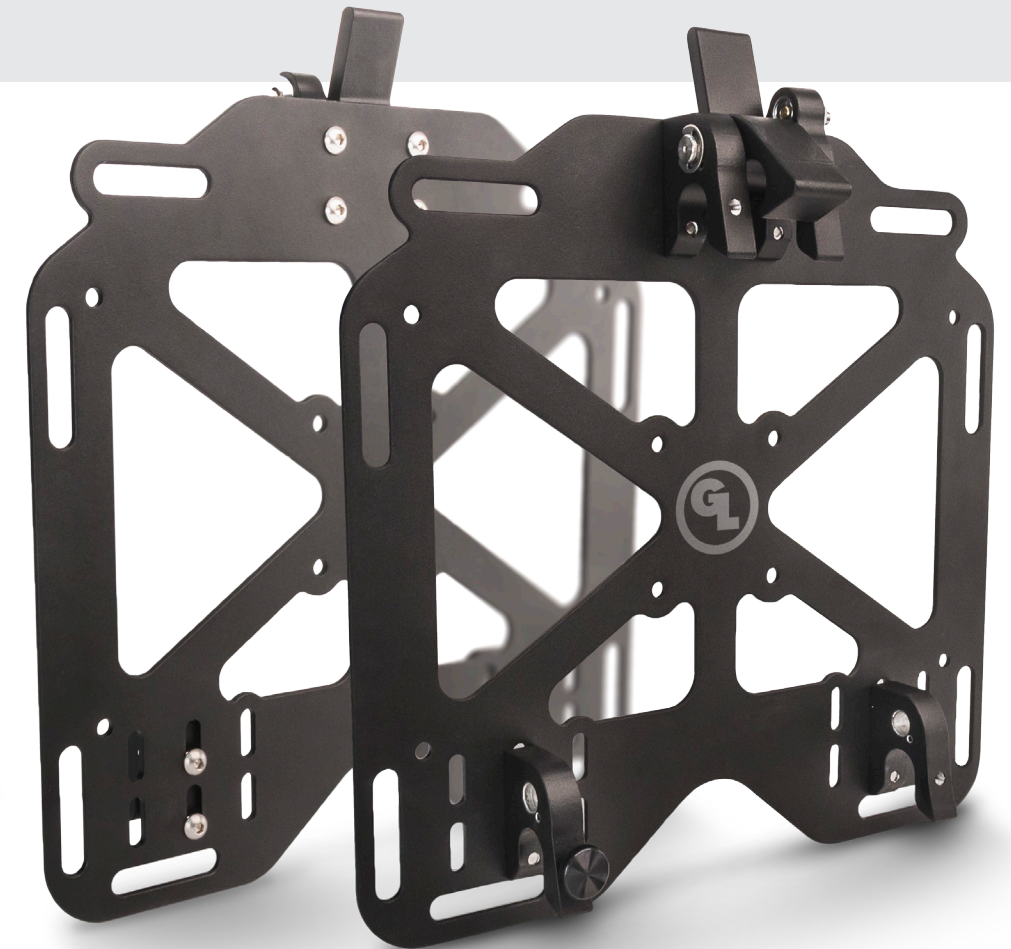
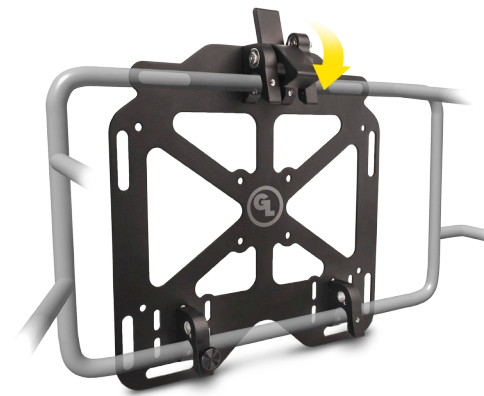


**Pronghorn Straps**  
Multi-use stretch polyurethane straps anchor gear to GL Pannier Mounts, tail racks and more.



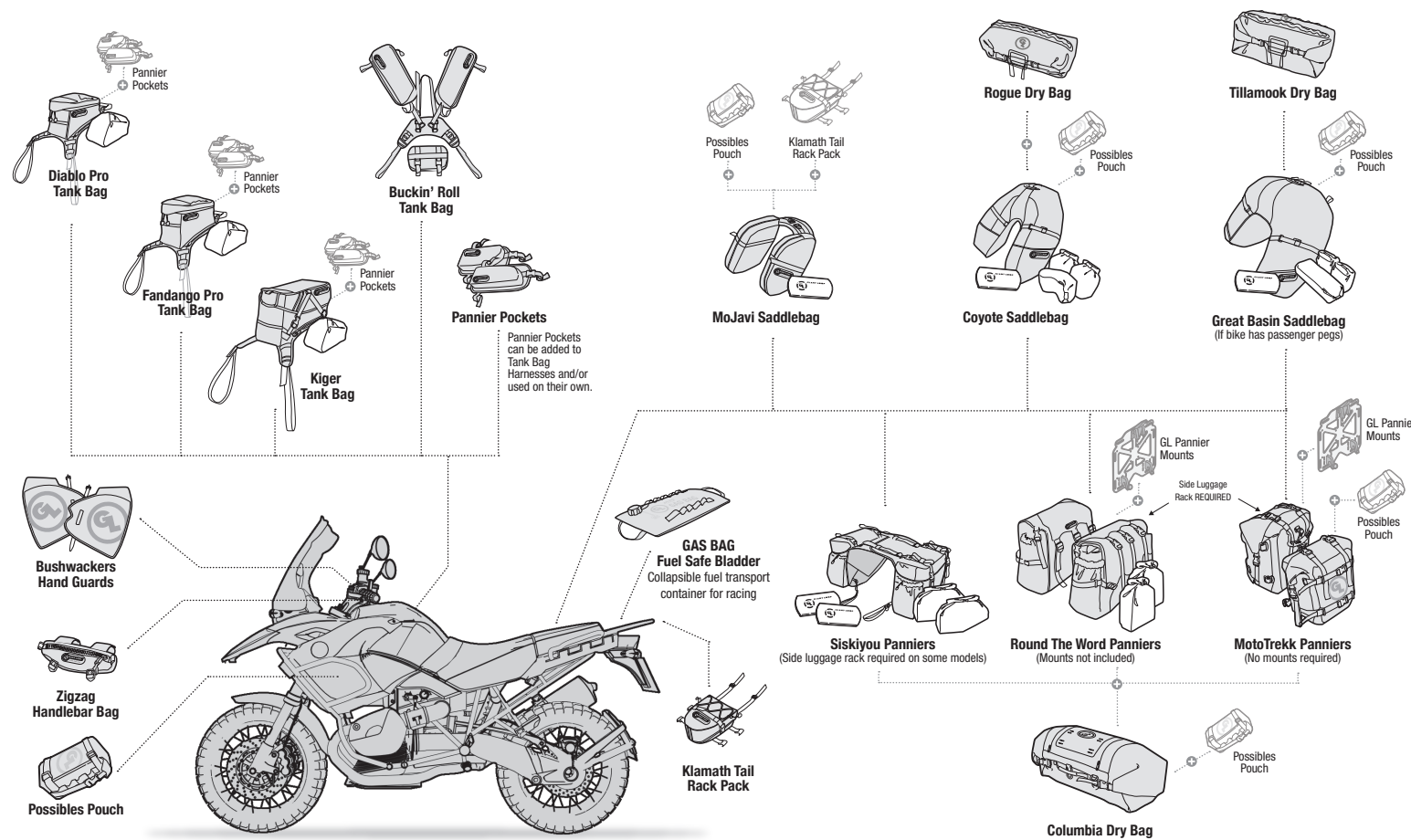
GL Part No. PNMT-18R

**GL PANNIER MOUNTS™**  
MOUNTING INSTRUCTIONS



**NOTE:** Failure to follow recommended mounting and installation instructions voids warranty. Manufacturer is not liable for any damage, injury or death that results from improper use and installation of products. By installing these products, user accepts all liabilities, terms and conditions outlined in the Liability & Warranty statement included here.

GIANT LOOP ADVENTURE PROOF PACKING SYSTEMS & GEAR: **ADVENTURE TOURING**



TERMS OF USE, LIMITED LIFETIME WARRANTY AND LIABILITY WAIVER

Giant Loop LLC, an Oregon company, having its principal place of business in Bend, OR ("Giant Loop") offers its motorcycle bag (the "Product") with the terms, conditions and notices as follows:

**TERMS OF USE**  
This Product is offered to you conditioned upon your acceptance without modification of the terms, conditions, and notices contained herein. Installation and/or use of this product implies acceptance of all such terms, conditions, and notices. If you do not agree to these terms, do not buy the Product. If you have already bought the Product and do not agree to these terms, return this Product promptly, including the packaging and all written materials, to Giant Loop.

**LIMITATION OF LIABILITY AND LIMITED LIFETIME WARRANTY DISCLAIMER**  
Giant Loop offers a money-back guarantee provided the Product is returned, in unused condition with original receipt, within 30 days of purchase. Giant Loop reserves the right to subtract a 15% re-stocking fee from the refund amount. Standard shipping fees will apply to exchanged items and are paid by the customer. If you receive damaged or defective goods or items that you did not order, the items must remain unopened and unused so we can credit you in full, including return shipping if it is a result of our error, mishandled shipping or manufacturer's defect.

Giant Loop provides to the original purchaser a limited lifetime warranty against defects in materials or craftsmanship if purchased directly from a Giant Loop authorized dealer. This warranty covers defective materials and craftsmanship only, and does not include damage due to normal wear and tear or misuse. Failure to comply with the included instructions for this Product will void the limited lifetime warranty. If defects in the materials or craftsmanship of the Product exist, notify Giant Loop immediately of the defect. Giant Loop will provide for repair or replacement of the Product, after Giant Loop has determined, in our sole discretion, that a defect is present. Proof of purchase is required to utilize the limited warranty provisions.

If you experience any problems with the Product within the warranty period please return the Product or contact us for prompt repair or replacement at our discretion: ride@giantloopmoto.com, 458-206-9113.

Excepting the warranties stated in the preceding paragraph, Giant Loop hereby disclaims all other warranties and conditions with regard to the Product including all implied warranties and conditions of merchantability and fitness for a particular purpose. There are no warranties which extend beyond the description on the face hereof. Giant Loop does not warrant against damages or defects arising out of use or installation of the Product. Installation instructions are provided for your convenience. Giant Loop is not responsible for any damages arising out of the installation, improper or otherwise, of the Product. No warranty of any kind, expressed or implied, is made regarding the safety of this Product.

To the extent allowed by law, Giant Loop shall not be held liable for any direct, indirect, punitive, incidental, special or consequential damages arising out of, or connected with, the use or misuse of this Product. Buyer assumes all risks and liability arising from use of this Product.

**ENTIRE AGREEMENT**  
This document states the entire obligation of Giant Loop with respect to the Product. If any part of this agreement is determined to be void, invalid, unenforceable or illegal, including, but not limited to the warranty disclaimers and liability limitations set forth above, then the remainder of the agreement shall remain in full force and effect.

**APPLICABLE LAW**  
This agreement is governed by the laws of Oregon, USA. You hereby consent to the exclusive jurisdiction and venue of the courts of Oregon, USA, in all disputes arising out of or relating to the use of this product.



**Please keep in touch. We want to hear about your adventures!**  
Giant Loop LLC  
Bend, Oregon USA  
ride@giantloopmoto.com  
458-206-9113  
GiantLoopMoto.com

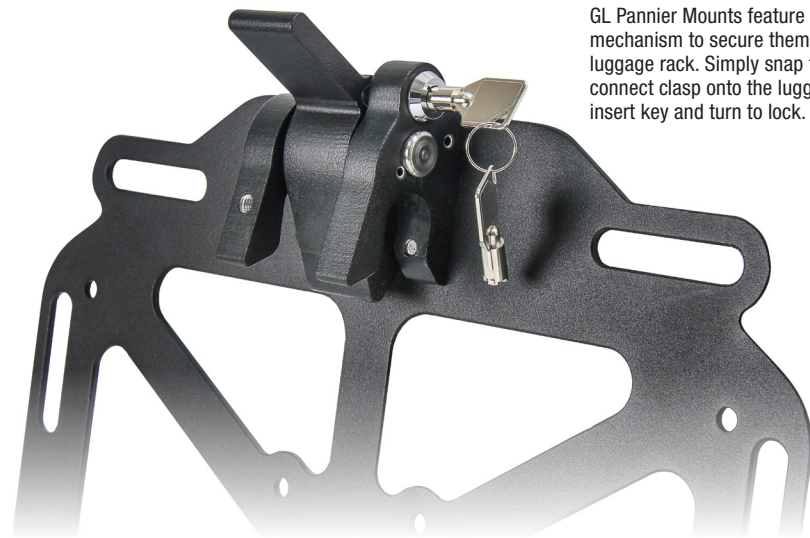




# GL PANNIER MOUNTS™

## MOUNTING AND INSTALLATION INSTRUCTIONS

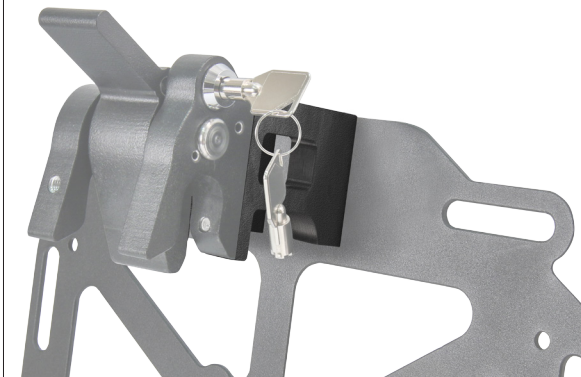
**KEY LOCK FOR EXTRA SECURITY**  
GL Pannier Mounts feature a locking mechanism to secure them to your luggage rack. Simply snap the quick-connect clasp onto the luggage rack, insert key and turn to lock.



### BMW R1200GS ADAPTER

GL Part No. PNMT-GSA

For the BMW R1200GS Adventure's OEM luggage rack, install the optional GSA Adapter blocks on the exhaust side GL Pannier Mount, between the mount plate and the quick-connect clasp.

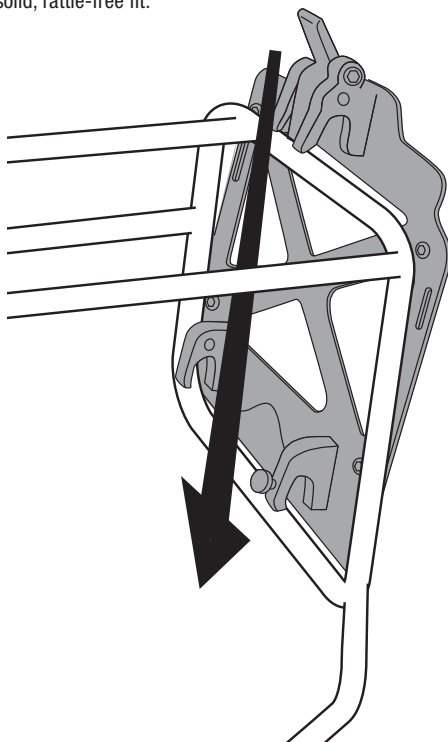


### PRE-FITTING

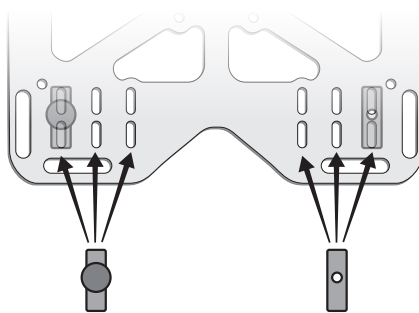
GL Pannier Mounts can be configured to fit an array of popular luggage rack designs by moving the location of the bottom mount hooks to one of three positions. Hooks can then be adjusted vertically for a snug, secure fit.

To determine bottom mount hook placements, test fit the GL Pannier Mounts starting with the pre-installed positions. Hooks can be moved to any of the three positions, and each of the two bottom hooks can be installed in the best location to avoid obstructions or contact with the motorcycle's exhaust system.

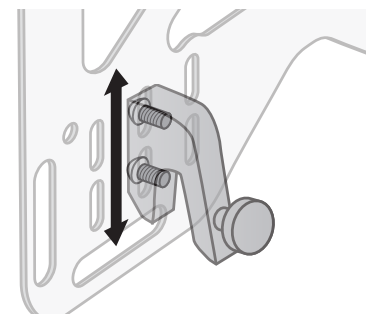
With hooks loosely fitted into their optimal positions, click the quick-connect clasp onto rack. Slide hooks in slots to create a solid, rattle-free fit.



### HOOK POSITIONS

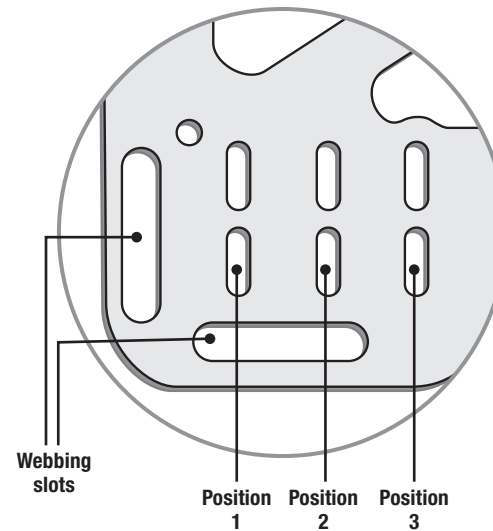


### VERTICAL ADJUSTMENT



After hooks are properly positioned and adjusted, mark their locations and reinstall with blue medium-strength thread lock.

Insert thumbscrew in either bottom hook - whichever position avoids contact with exhaust or other obstructions. Loosen thumbscrew when connecting/disconnecting mounts and tighten to prevent hooks from sliding.



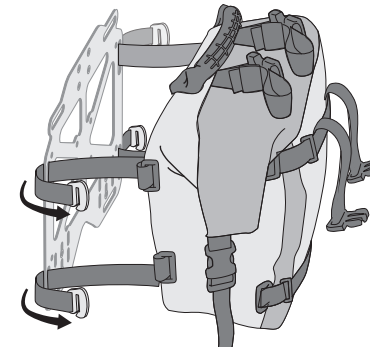
Use one of the three slot positions to locate mount hooks where they clear obstructions and hot exhaust. Adjust hooks vertically in slots for a tight fit when the quick-connect clasp is attached to the rack.

**It is critical to ensure that no part of the Mounts makes contact with the bike's exhaust system.**  
Position thumbscrew so it's accessible to finger tighten, and so it's not touching any part of the exhaust.

Although specifically designed for the GL RTW Panniers and GL MotoTrek Panniers, GL Pannier Mounts are remarkably versatile. Pre-drilled holes provide easy installation of RotoPax® gas cans, water cans and accessories, and strap slots enable virtually any other gear, tools or bags to be secured to the GL Panniers with GL Pronghorn Straps.

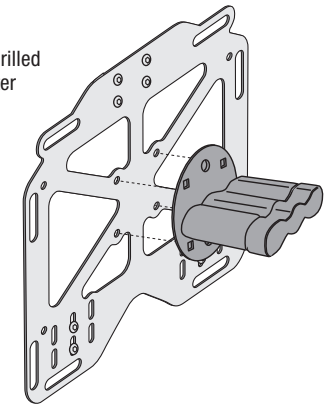
### MOTOTREKK® PANNIERS INSTALLATION

Simply thread anchor straps through the slots and tighten as indicated in your MotoTrek Panniers instructions.



### RotoPax® PANNIERS INSTALLATION

Bolt RotoPax® mount onto GL Pannier Mount using four pre-drilled holes, then attach gas can, water can or tool box.

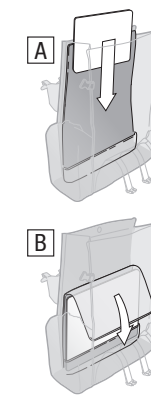


### ROUND THE WORLD PANNIERS INSTALLATION

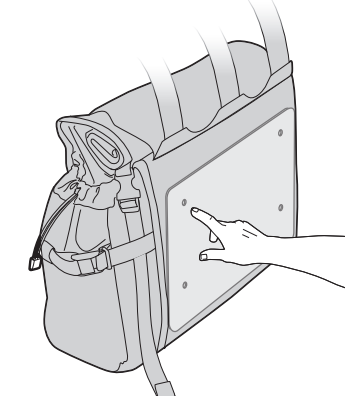
RTW Panniers include frame sheets, with pre-drilled holes for your GL Pannier Mounts. If installing another manufacturer's mounting system, please refer to the instructions included with your RTW Panniers.

#### 1 LOCATE PRE-DRILLED HOLES

Insert framesheets into RTW Panniers (A) and secure in place by attaching framesheet cover inside Panniers (B).

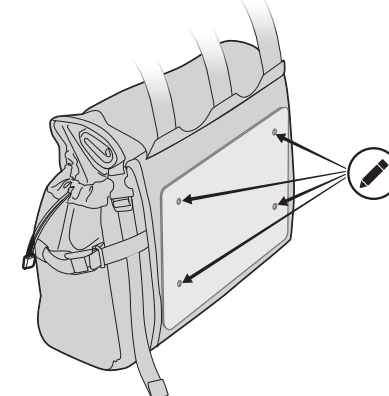


On the wheel side of your RTW Panniers, use your hand to locate the pre-drilled holes on the enclosed framesheet. You will be able to feel the four slight indentations with your fingers.



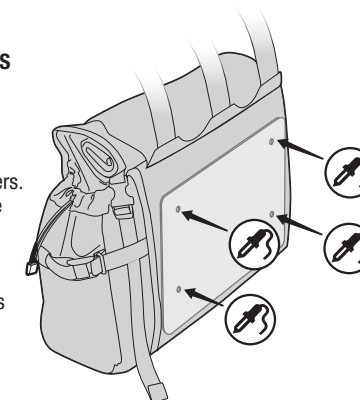
#### 2

Use a ball point pen to mark hole locations where the mounting hardware passes through the Pannier. Repeat on second Pannier.



#### 3 MELT HOLES IN RTW PANNIERS

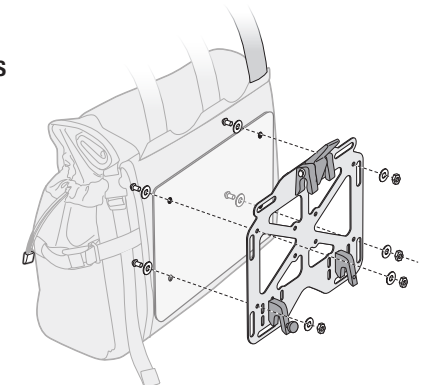
In a well ventilated space, and while holding framesheet cover out of the way inside the Panniers, use a hot soldering iron to carefully melt holes through fabric on wheel side of Panniers. If you do not have a soldering iron, the holes may be burned with a nail held with locking pliers and heated with a torch, or carefully drilled. Make holes just large enough for hardware to pass through fabric.



#### 4 SECURE GL PANNIER MOUNTS TO RTW PANNIERS

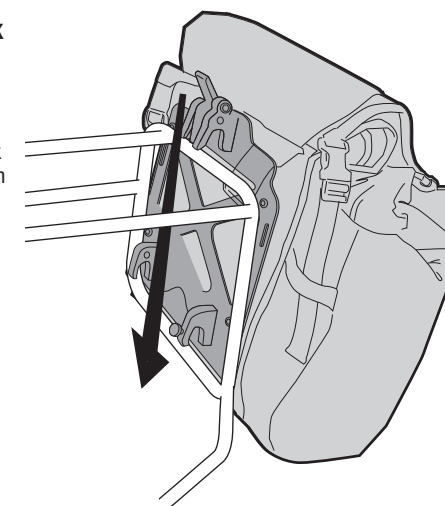
Using the enclosed (4) bolts and (4) nuts and (8) washers, secure the Pannier Mounts to the RTW Panniers.

Bolt through from the inside, with nuts on the wheel side.



#### 5 INSTALL ONTO LUGGAGE RACK

Once GL Pannier Mounts are installed on RTW Panniers, hold by the handle and drop hooks onto luggage rack, pulling quick-connect clasp open and allowing it to click into place. Lock Panniers to luggage rack for maximum security and to prevent accidental disconnection of Pannier Mount.



#### 6 TRIM PANNIER STRAPS

We recommend using scissors to cut webbing and fasteners off RTW Panniers and singeing with a lighter to prevent fraying. With GL Panniers Mounts, no additional straps are required to secure RTW Panniers to racks.

