



AltRider Headlight Guard for Triumph Tiger 800 and 1200 Explorer INSTALLATION INSTRUCTIONS

The most up to date instructions can be downloaded from the product page at altrider.com, under the instructions tab.

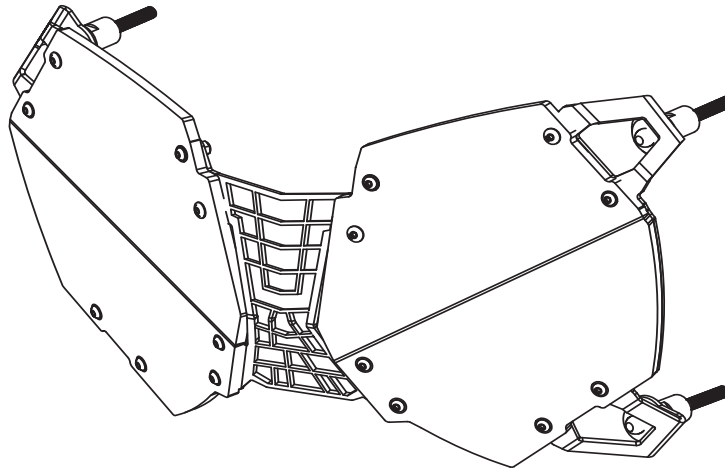
Dear Rider,
Thank you for choosing AltRider! Whether a seasoned world adventurer or a first time ADV-Newbie, we welcome you to the AltRider experience. You can install your new product with the utmost confidence. AltRider designs, tests, and manufactures all of its products here in the United States. We are proud to do what we do, and honored to present to you the product of our labors.

Enjoy it, show it off, and most of all, RIDE IT!

Venture On,
Jeremy LeBreton



AltRider Headlight Guard
Triumph Tiger 800 and 1200 Explorer



Package Contents:
- Headlight Guard
- Hardware kit
- Instructions

AltRider LLC

Global

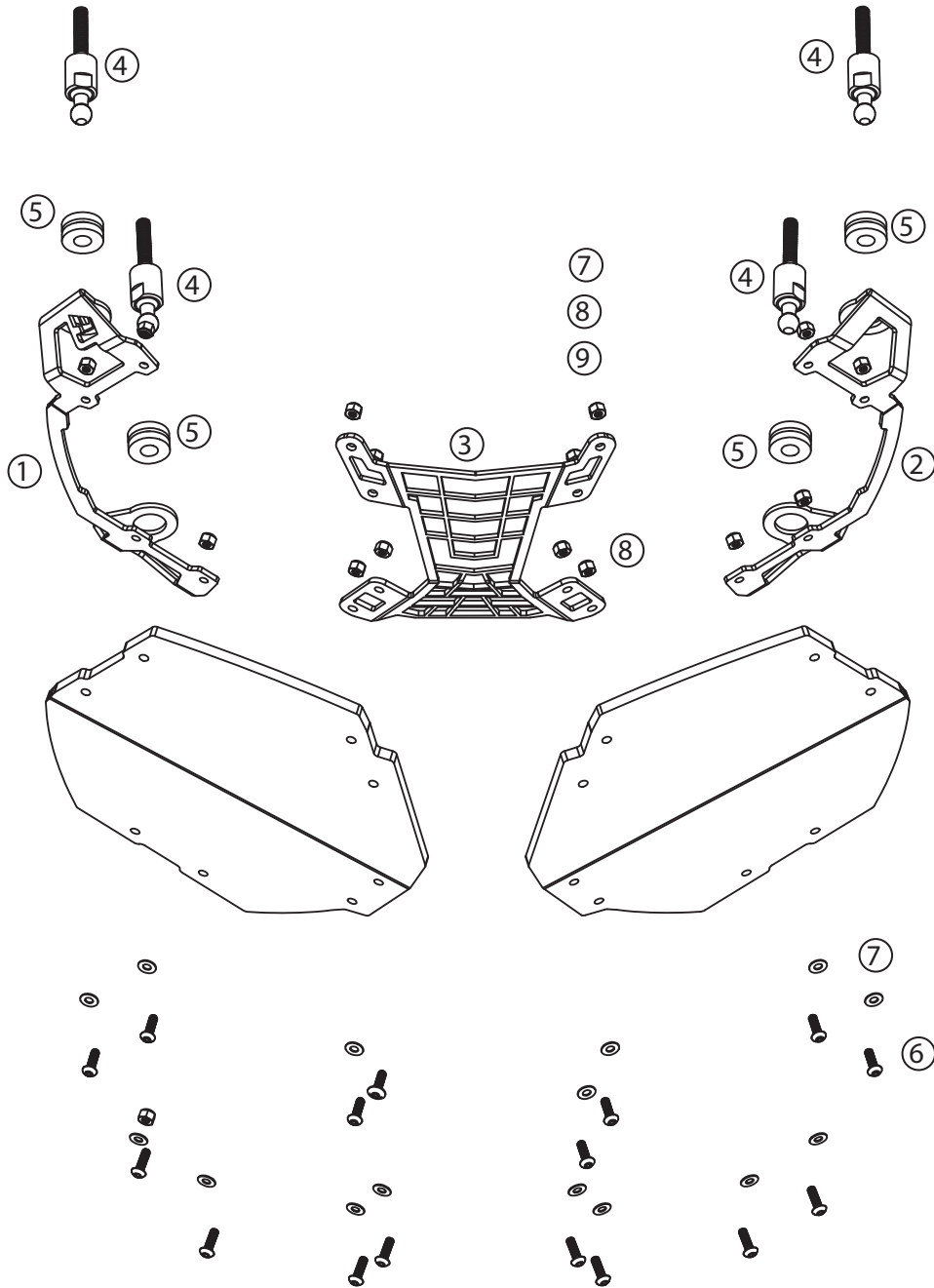
mailing: 4000 Aurora Ave N Ste 100
Seattle, WA 98103 USA
phone: 206-922-3618
email: info@altrider.com
web: www.altrider.com

Europe

mailing: AltRider EU
Heliumstraat 230
2718 RS Zoetermeer
The Netherlands
email: info@altrider.eu
web: www.altrider.eu

MADE IN THE USA





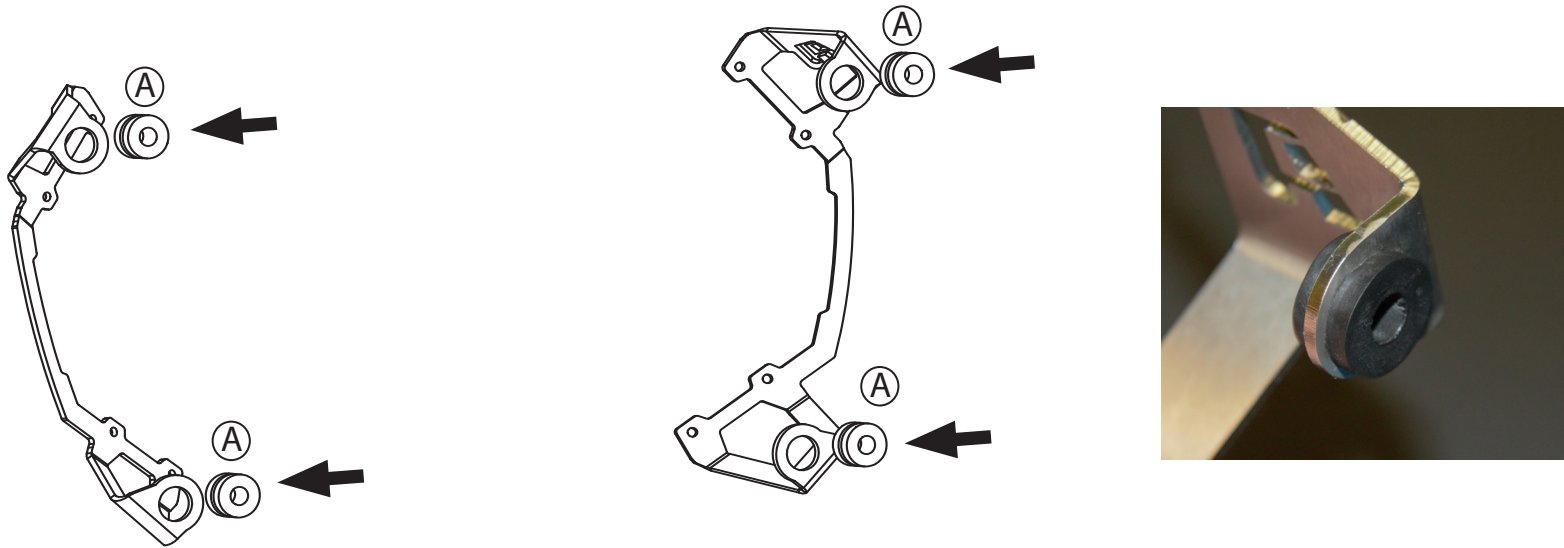
Kit:

- paper instructions
- ① Right Frame
- ② Left Frame
- ③ Center Frame
- ④ (4) Ball Studs 28.5mm extension
- ⑤ (4) Rubber Grommets
- ⑥ (16) M3 button head screws
- ⑦ (16) M3 washers
- ⑧ (16) M3 lock nuts

Tools necessary:

- ① 5.5mm nut driver
- ② 10mm open end wrench
- ③ blue thread locker
- ④ T25 Torx
- ⑤ 2mm allen

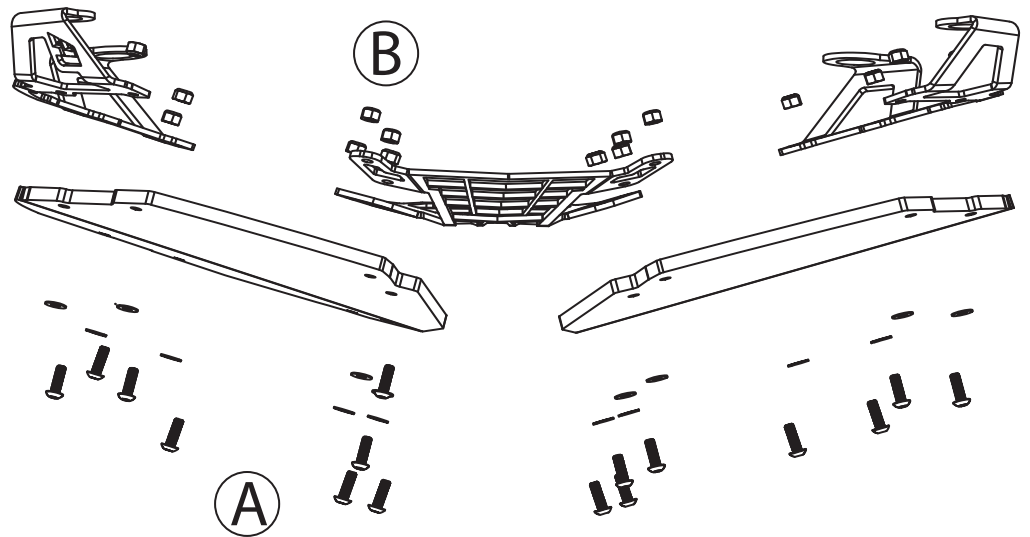




① Install four (4) rubber grommets into headlight guard. (A) Use care to not rip the rubber. **!TIP** a dab of water will help them slide into place, a small flathead screwdriver is a good tool to use.

② Peel protective film back from polycarbonate lenses.
Use 2mm torx and 5.5mm nut driver to attach lenses to frames.

Place M3 screws and washer (A) against polycarbonate, and with M3 locknut (B) on back side against stainless steel frame.





- ① Use T25 Torx and remove the four screws from the black plastic headlamp surround. You will not re-use these screws.



- ② Apply a small drop of loctite to the threads of each ball stud. Thread in each ball stud into the black plastic headlamp surround. Use 10mm spanner to tighten snug (careful not to overtighten).



- ③ Install headlight guard. **!TIP** A dab of water on each ball stud will help it fit in place easier with less wear on the rubber grommets.

Cleaning Your Headlight Guard

Clean your headlight guard using **ONLY** mild soap and water, dry with a soft cloth.

For particularly stubborn bug guts, remove and soak in water, or place a wet soft towel on the lenses and allow to soften the debris.

DO NOT USE OTHER CHEMICALS to clean your headlight guard.

The polycarbonate plastic lenses are very tough and impact resistant, but they do react with certain chemicals commonly found in bike cleaners, glass cleaners, and other general purpose cleaners and degreasers. Using any of these can result in hazing or micro cracking of the clear lenses and voids the warranty.

CONGRATULATIONS!

You've completed your installation. If at any point you have questions about your installation or have any feed back for us, we'd love to hear it. A downloadable version of these instructions can be found at our web site. www.AltRider.com

After 5 hours or 100 miles of riding, check your newly installed equipment to ensure all hardware is secure.

Global Office:

email: info@AltRider.com
phone: +1 206-922-3618
address: 4000 Aurora Ave N
Ste 100
Seattle, WA 98103

Europe Office:

email: info@AltRider.eu
address: Heliumstraat 230
2718 RS Zoetermeer
The Netherlands

TERMS OF USE, WARRANTY AND LIABILITY WAIVER

AltRider LLC, a Washington company, having its principal place of business in Seattle, WA ("AltRider") offers its motorcycle accessories (the "Product") with the terms, conditions and notices as follows:

Terms of Use

This Product is offered to you conditioned upon your acceptance without modification of the terms, conditions, and notices contained herein. Installation and/or use of this product implies acceptance of all such terms, conditions, and notices. If you do not agree to these terms, do not buy the Product. If you have already bought the Product and do not agree to these terms, return this Product promptly including the packaging and all written materials, to AltRider.

Limitation of Liability and Warranty Disclaimer

You may return your merchandise for a full refund or exchange, less any original or return shipping fees under these conditions:

1. Only if the merchandise is in 100% factory condition. Original manufacturer's packaging and same condition as sold – original boxes, packaging material, instructions, documentation, parts, and attached tags.
2. Only unused, unscratched, uninstalled, undamaged merchandise will be accepted. Do not install equipment until you are sure you want to keep it. Package items carefully in protective materials before returning them. Never ship an item in its original manufacturers packaging – it will arrive damaged. Please use a postal box or other adequate packaging to ensure your return or exchange is not damaged on the way back to AltRider.com.

To read more about our exchanges and returns policy, on the web, navigate to <http://www.alt rider.com/info/exchangesAndReturns>

Excepting the warranties stated in the preceding paragraph, AltRider hereby disclaims all other warranties and conditions with regard to the Product including all implied warranties and conditions of merchantability and fitness for a particular purpose. There are no warranties which extend beyond the description on the face hereof. AltRider does not warrant against damages or defects arising out of use or installation of the Product. Installation instructions are provided for your convenience. AltRider is not responsible for any damages arising out of the installation, improper or otherwise, of the Product. No warranty of any kind, expressed or implied, is made regarding the safety of this Product.

To the extent allowed by law, AltRider shall not be held liable for any direct, indirect, punitive, incidental, special or consequential damages arising out of, or connected with, the use or misuse of this Product. Buyer assumes all risks and liability arising from use of this Product.

Entire Agreement

This document states the entire obligation of AltRider with respect to the Product. If any part of this agreement is determined to be void, invalid, unenforceable or illegal, including, but not limited to the warranty disclaimers and liability limitations set forth above, then the remainder of the agreement shall remain in full force and effect.

Applicable Law

This agreement is governed by the laws of Washington, USA. You hereby consent to the exclusive jurisdiction and venue of the courts of Washington, USA, in all disputes arising out of or relating to the use of this product.

